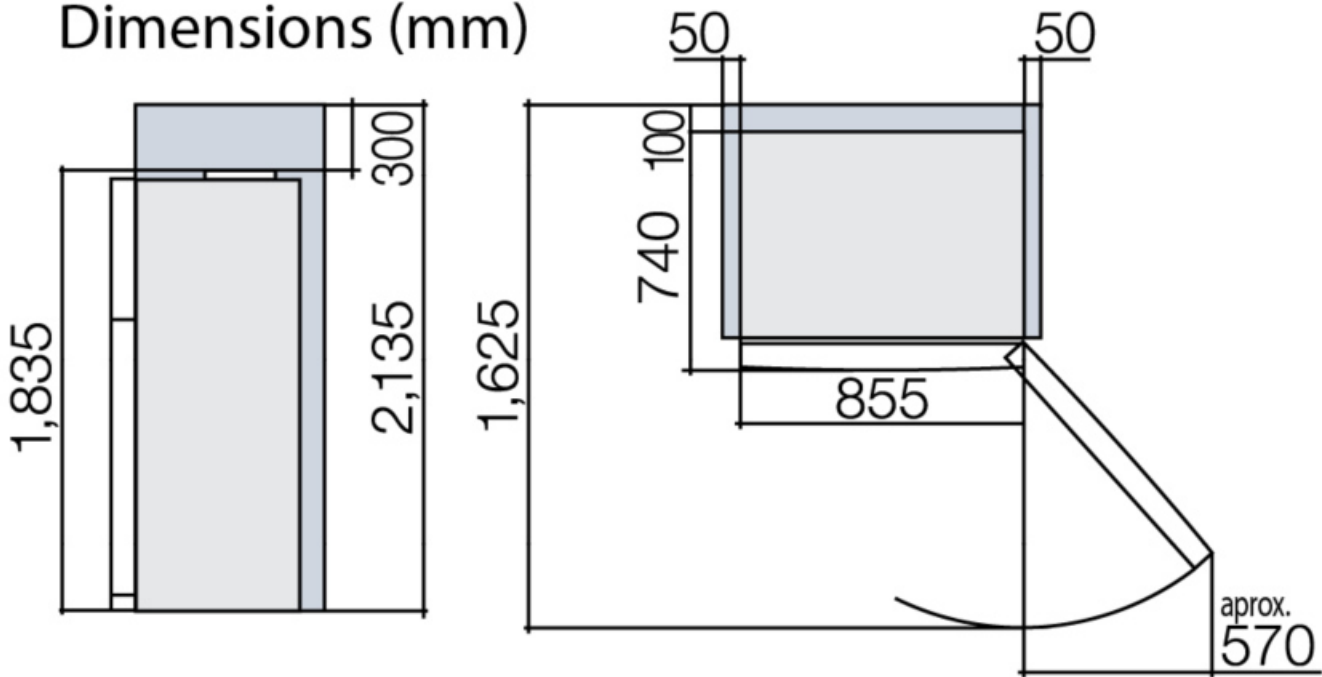


### Dimensions (mm)



■ : Space required for radiation