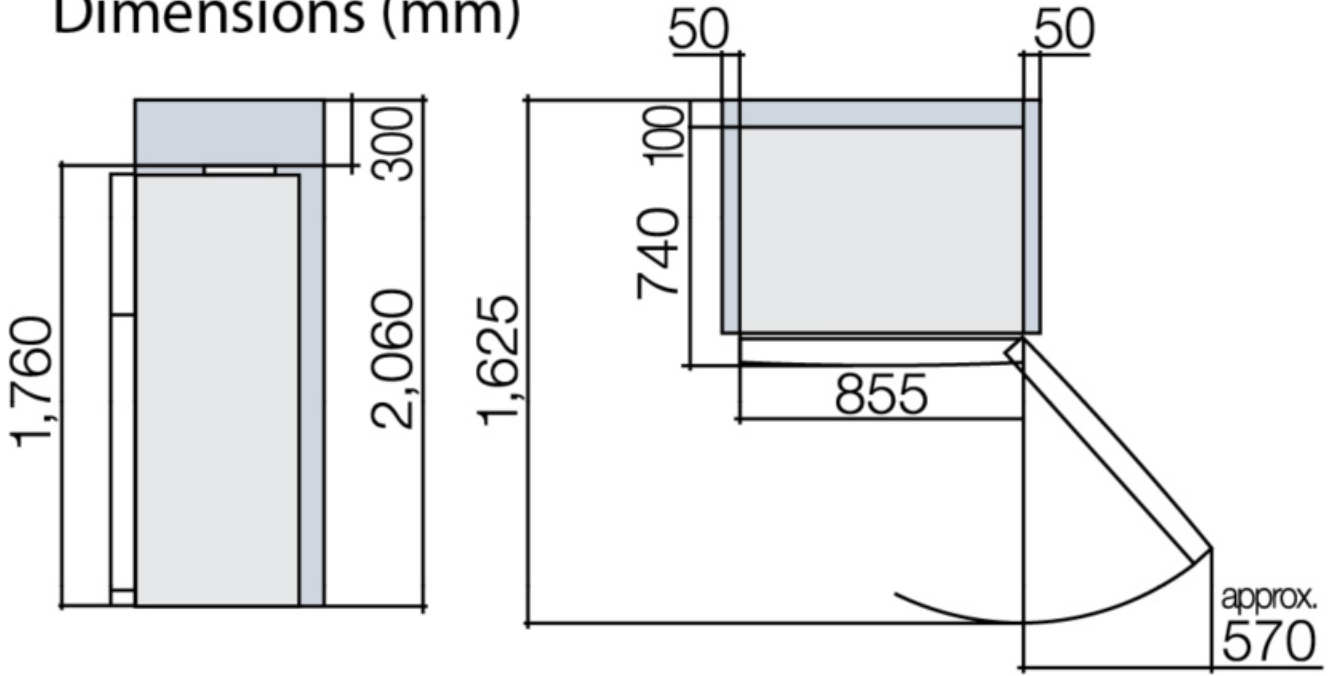


Dimensions (mm)



 : Space required for radiation