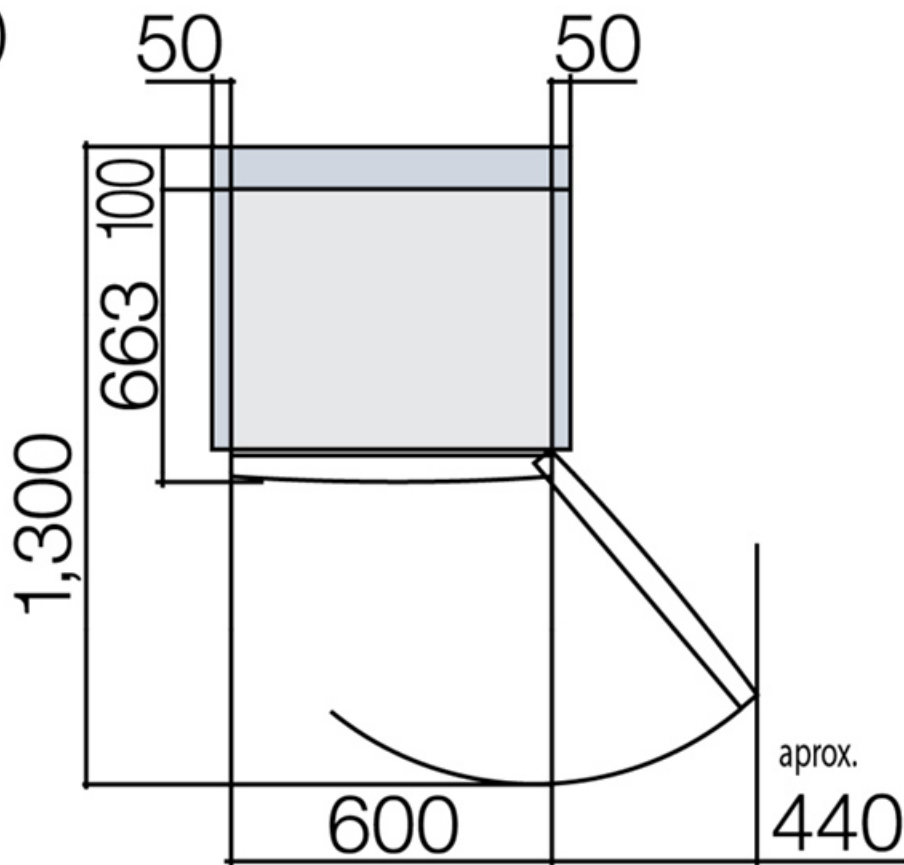
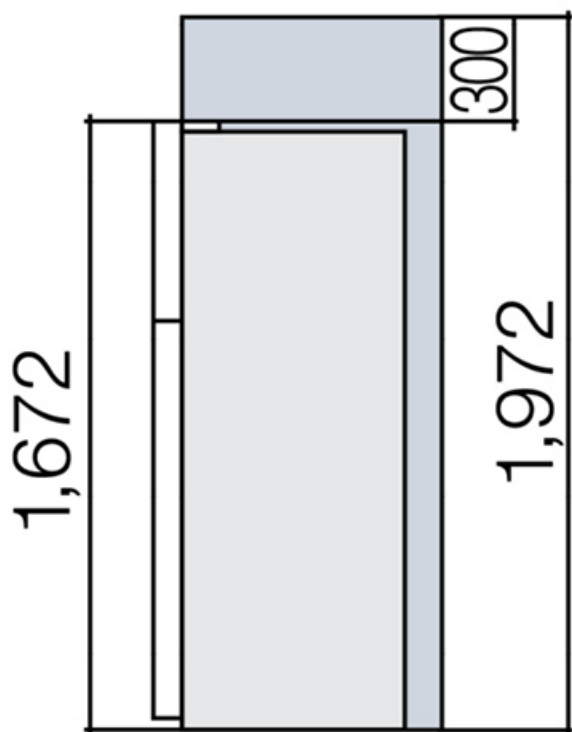


# Dimensions (mm)



■ : Space required for radiation